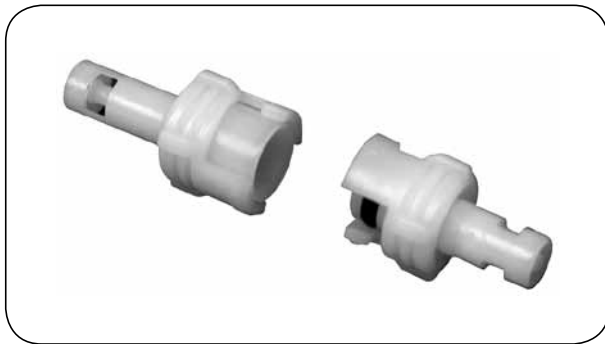


INDUSTRIAL FITTINGS - quick release couplings

CPC - plastic couplings

CPC quick release plastic couplings are designed for general industry, biopharmaceutical, medical, chemical, food and packaging application. A version with an automatic shut-off valve prevents leaks and thus increases safety of its operator. A wide choice of materials enables selection of the quick release coupling for almost any application. One hand operation with an audible click confirming secure connection. A variety of coupling versions allows attachment to threaded connection, in-line, hose systems, panel mounting, etc. A product line of CPC couplings makes a total of over 4000 items. They are available as individual male or female parts with different connections or as ready-to-use sets to be fit into a hose (so called „Line-In“).

It is recommended to use CPC quick release couplings with hoses listed in TYGON® HOSES section.



SMC series DN 1.2

Material: Acetal (O-ring NBR)
Polypropylene (O-ring EPDM)
Polycarbonate (O-ring NBR)

Working press.: Up to 6.9 bar

Working temp.: From -40°C up to +82°C (acetal)
From 0°C up to +82°C (polypropylene)
From -40°C up to +121°C (polycarbonate)

Miniature couplings are designed for ink printing installations, blood, coolants, gas chromatography, etc. It is enough to twist two parts of the coupling against each other to connect them. In addition the coupling allows some rotation of the hose when connected. This feature prevents kinking and accidental disconnection. The couplings made of acetal are available in black colour as an option.

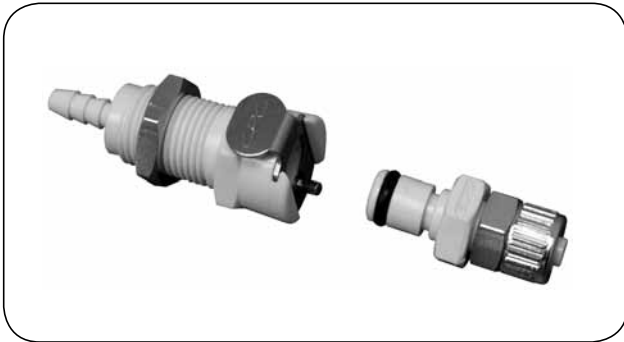
picture		description	code			
			acetal	polypropylene	polycarbonate	
	1	with 1/8" NPT male thread	CC-SMX-01-AC	CC-SMX-01-PP	-	
	2	socket	for 1/16" hose	CC-SMX-02-AC	CC-SMX-02-PP	CC-SMX-02-PC
			for 1/8" hose	CC-SMX-03-AC	CC-SMX-03-PP	CC-SMX-03-PC
			panel mount for 1/16" hose	CC-SMX-04-AC	CC-SMX-04-PP	-
	3		panel mount for 1/8" hose	CC-SMX-05-AC	CC-SMX-05-PP	-
			for 1/16" hose	CC-SMX-06-AC	CC-SMX-06-PP	CC-SMX-06-PC
	4	plug	for 1/8" hose	CC-SMX-07-AC	CC-SMX-07-PP	CC-SMX-07-PC
			panel mount for 1/16" hose	CC-SMX-08-AC	CC-SMX-08-PP	-
	5		panel mount for 1/8" hose	CC-SMX-09-AC	CC-SMX-09-PP	-
			in-line set 1/16"	CC-SMX-10-AC	CC-SMX-10-PP	CC-SMX-10-PC
	6		in-line set 1/8"	CC-SMX-11-AC	CC-SMX-11-PP	CC-SMX-11-PC

NOTE!

The codes given above apply to versions without valves. Couplings made of acetal only available with the valves. A code example of the version with the valve e.g. CC-PMV-10-AC.

INDUSTRIAL FITTINGS - quick release couplings

CPC - plastic couplings



PMC series DN 3.2

Material: Acetal (O-ring NBR)
Polypropylene (O-ring EPDM)
Working press.: Up to 8.3 bar
Working temp.: From -40°C up to +82°C (acetal)
From 0°C up to +71°C (polypropylene)

Small quick release couplings designed for gas detection, medical devices, chemical analysers, ink printing, components of optical equipment, etc. Their specific design (there are no locking balls or ferrules) allows easier and firmer one hand connection and disconnection. An audible click confirms secure connection. Also available with BSPT male thread.

picture		description	code		
			acetal	polypropylene	
	1	with 1/8" NPT male thread	CC-PMV-01-AC	CC-PMV-01-PP	
		with 1/4" NPT male thread	CC-PMV-02-AC	CC-PMV-02-PP *	
	2	panel mount for 4x2 hose + nut	CC-PMV-03-AC	-	
		panel mount for 4x2.5 hose + nut	CC-PMV-04-AC	-	
		panel mount for 6.3x4.3 hose + nut	CC-PMV-05-AC	CC-PMV-05-PP	
	3		panel mount for 1/16" hose	CC-PMV-06-AC	CC-PMV-06-PP
			panel mount for 1/8" hose	CC-PMV-07-AC	CC-PMV-07-PP
			panel mount for 3/16" hose	CC-PMV-08-AC	-
			panel mount for 1/4" hose	CC-PMV-09-AC	CC-PMV-09-PP
	4	panel mount with 10-32 UNF female thread	CC-PMV-10-AC	-	
	5		hose tail for 4x2 hose (+ nut)	CC-PMV-11-AC	-
			hose tail for 4x2.5 hose (+ nut)	CC-PMV-12-AC	-
			hose tail for 6.3x4.3 hose (+ nut)	CC-PMV-14-AC	CC-PMV-14-PP
			for 1/16" hose tail	CC-PMV-15-AC	CC-PMV-15-PP
6		for 1/8" hose tail	CC-PMV-16-AC	CC-PMV-16-PP	
		for 3/16" hose tail	CC-PMV-17-AC	-	
		for 1/4" hose tail	CC-PMV-18-AC	CC-PMV-18-PP	
7	with 10-32 UNF female thread	CC-PMV-19-AC	-		
	1	with 1/8" NPT male thread	CC-PMV-20-AC	CC-PMV-20-PP	
	2	with 1/4" NPT male thread	CC-PMV-21-AC	-	
	3		panel mount for 6.3x4.3 hose + nut	CC-PMV-22-AC	-
			panel mount for 1/16" hose	CC-PMV-23-AC	-
			panel mount for 1/8" hose	CC-PMV-24-AC	-
			panel mount for 3/16" hose	CC-PMV-25-AC	-
	4		panel mount 1/4" hose	CC-PMV-26-AC	-
			hose tail for 4x2 hose (+ nut)	CC-PMV-27-AC	-
			hose tail for 4x2.5 hose (+ nut)	CC-PMV-28-AC	-
			hose tail for 6.3x4.3 hose (+ nut)	CC-PMV-29-AC	CC-PMV-29-PP
	5		hose tail for 9.5x6.3 hose (+ nut)	CC-PMV-30-AC	-
			for 1/16" hose	CC-PMV-31-AC	CC-PMV-31-PP
			for 1/8" hose	CC-PMV-32-AC	CC-PMV-32-PP
			for 3/16" hose	CC-PMV-33-AC	-
	6		for 1/4" hose	CC-PMV-34-AC	CC-PMV-34-PP
			with 10-32 UNF female thread	CC-PMV-35-AC	-
	7		90° elbow for 4x2.5 hose (+ nut)	- **	-
			90° elbow for 6.3x4.3 hose (+ nut)	CC-PMV-37-AC	CC-PMV-37-PP *
			90° elbow for 1/8" hose	CC-PMV-38-AC	CC-PMV-38-PP
		90° elbow for 1/4" hose	CC-PMV-39-AC	CC-PMV-39-PP	

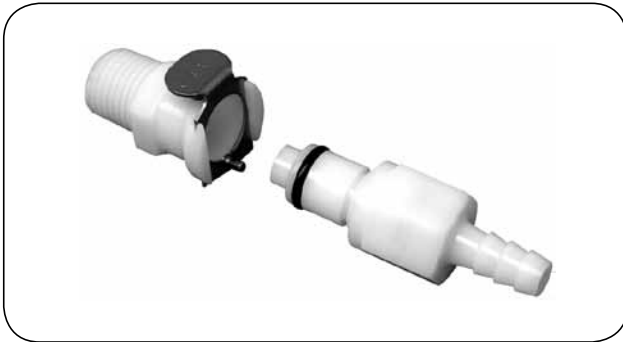
NOTE!

The codes given above apply to versions with valves.

A code example of the version without the valve e.g.: CC-PMX-10-AC * - always valved
** - always non-valved

INDUSTRIAL FITTINGS - quick release couplings

CPC - plastic couplings



PLC series DN 6.3

Material: Acetal (O-ring NBR)
Polypropylene (O-ring EPDM)
Working press.: Up to 8.3 bar
Working temp.: From -40°C up to +82°C (acetal)
From 0°C up to +71°C (polypropylene)

Middle size quick release couplings designed for washing systems, deionized water filtration, industrial machines, leak detection, etc. Their specific design (there are no locking balls or ferrules) allows easier and firmer one hand connection and disconnection. An audible click confirms secure connection. Also available with BSPT male thread.

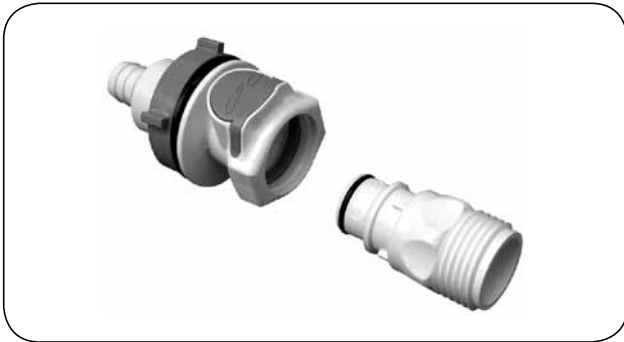
picture		description	code	
			acetal	polypropylene
	1	with 1/4" NPT male thread	CC-PLV-01-AC	CC-PLV-01-PP
		with 3/8" NPT male thread	CC-PLV-02-AC	CC-PLV-02-PP *
	2	panel mount for 6.3x4.3 hose + nut	CC-PLV-03-AC	-
		panel mount for 8x6 hose + nut	CC-PLV-04-AC	-
	3	panel mount for 9.5x6.3 hose + nut	CC-PLV-05-AC	CC-PLV-05-PP
		panel mount for 10x8 hose + nut	CC-PLV-06-AC	-
	4	panel mount for 1/4" hose	CC-PLV-07-AC	CC-PLV-07-PP
		panel mount for 5/16" hose	CC-PLV-08-AC	-
	5	panel mount for 3/8" hose	CC-PLV-09-AC	CC-PLV-09-PP
		push-in panel mount for 1/4" hose	CC-PLV-10-AC	-
	6	hose tail for 6.3x4.3 hose (+ nut)	CC-PLV-11-AC	-
		hose tail for 8x6 hose (+ nut)	CC-PLV-12-AC	-
	7	hose tail for 9.5x6.3 hose (+ nut)	CC-PLV-13-AC	CC-PLV-13-PP
		hose tail for 10x8 hose (+ nut)	CC-PLV-14-AC	-
	8	with 1/4" hose tail	CC-PLV-15-AC	CC-PLV-15-PP
		with 5/16" hose tail	CC-PLV-16-AC	-
9	with 3/8" hose tail	CC-PLV-17-AC	CC-PLV-17-PP	
	push-in for 1/4" hose (O.D.)	CC-PLV-18-AC	-	
10	push-in for 3/8" hose (O.D.)	CC-PLV-19-AC	-	
	for 9.5x6.3 hose (+ plastic nut)	-	CC-PLV-20-PP *	
	1	with 1/4" NPT male thread	CC-PLV-22-AC	CC-PLV-22-PP
		with 3/8" NPT male thread	CC-PLV-23-AC	-
	2	panel mount for 6.3x4.3 hose + nut	CC-PLV-24-AC	-
		panel mount for 8x6 hose + nut	CC-PLV-25-AC	-
	3	panel mount for 9.5x6.3 hose + nut	CC-PLV-26-AC	-
		panel mount for 10x8 hose + nut	CC-PLV-27-AC	-
	4	panel mount for 1/4" hose	CC-PLV-28-AC	CC-PLV-28-PP
		panel mount for 5/16" hose	CC-PLV-29-AC	-
	5	panel mount for 3/8" hose	CC-PLV-30-AC	CC-PLV-30-PP
		push-in panel mount for 1/4" hose	CC-PLV-31-AC	-
	6	hose tail for 6.3x4.3 hose (+ nut)	CC-PLV-32-AC	-
		hose tail for 8x6 hose (+ nut)	CC-PLV-33-AC	-
	7	hose tail for 9.5x6.3 hose (+ nut)	CC-PLV-34-AC	CC-PLV-34-PP
		hose tail for 10x8 hose (+ nut)	CC-PLV-35-AC	-
	8	for 1/4" hose tail	CC-PLV-36-AC	CC-PLV-36-PP
		for 5/16" hose tail	CC-PLV-37-AC	-
9	for 3/8" hose tail	CC-PLV-38-AC	CC-PLV-38-PP	
	push-in for 1/4" hose (O.D.)	CC-PLV-39-AC	-	
10	push-in for 3/8" hose (O.D.)	CC-PLV-40-AC	-	
	90° elbow for 9.5x6.3 hose (+ nut)	CC-PLV-41-AC	CC-PLV-41-PP	
	90° elbow for 1/4" hose	CC-PLV-42-AC	CC-PLV-42-PP	
	90° elbow for 1/8" hose	CC-PLV-43-AC	CC-PLV-43-PP	
	for 9.5x6.3 hose (+ plastic nut)	-	CC-PLV-44-PP *	
	for 12.7x9.5 hose (+ plastic nut)	-	CC-PLV-45-PP *	

Note!

- The codes given above apply to versions with valves. A code example of the version without the valve e.g.: CC-PLX-10-AC (* - always valved).
- Versions for application in food and pharmaceutical industry or medical equipment are also available.

INDUSTRIAL FITTINGS - quick release couplings

CPC - plastic couplings



HFC series DN 12.7

Material: Polypropylene (up to 4.2 bar)
 Polysulfone (up to 8.6 bar)
 Polysulfone UV (up to 8.6 bar)

Seal: EPDM

Working temp.: From 0°C up to +71°C (polypropylene)
 From -40°C up to +138°C (polysulfone)

Couplings designed for water, chemical, and pneumatic installations, etc. They are very lightweight in comparison with traditional heavy couplings with locking balls and ferrule. An ergonomic design and a large push button make it easy to grip and operate. An efficient valve design ensures high flow rates and minimum spillage. In addition the coupling allows some rotation of the connected hose. This feature prevents kinking and accidental disconnection during use. Application: chemical photographic processing, battery and accumulator filling installations, spraying equipment, pneumatic installations and antifreeze fluid systems, etc.

HFC couplings are also available: with valve inner parts made of Hastelloy, with BSPT male thread or 3/4" GHT male thread. The couplings made of polysulfone are highly resistant to chemicals and mechanical impact. Can be sterilized in an autoclave. UV version is resistant to ultraviolet radiation.

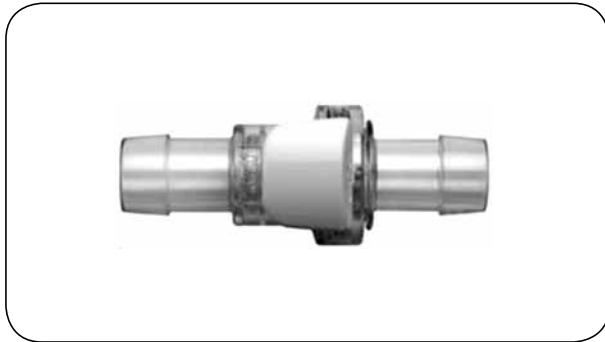
picture	description	code					
		polypropylene	polysulfone	polysulfone UV			
	1	with 3/8" NPT male thread	CC-HFV-01-PP	CC-HFV-01-PS	-		
	2	with 1/2" NPT male thread	CC-HFV-02-PP	CC-HFV-02-PS	CC-HFV-02-PSU		
		with 3/4" NPT male thread	CC-HFV-03-PP	CC-HFV-03-PS	-		
	socket	3	with 3/4" GHT female thread	-	CC-HFV-04-PS	CC-HFV-04-PSU	
			with 3/4" BSP female thread	-	CC-HFV-05-PS	CC-HFV-05-PSU	
		4	panel mount for 3/8" hose	CC-HFV-06-PP	CC-HFV-06-PS	CC-HFV-06-PSU*	
			panel mount for 1/2" hose	CC-HFV-07-PP	CC-HFV-07-PS	CC-HFV-07-PSU*	
		5	panel mount for 5/8" hose	CC-HFV-08-PP	CC-HFV-08-PS	CC-HFV-08-PSU*	
			panel mount for 3/4" hose	CC-HFV-09-PP	CC-HFV-09-PS	CC-HFV-09-PSU*	
			panel mount for 3/8" hose (O.D.)	CC-HFV-10-PP	-	-	
			panel mount for 1/2" hose (O.D.)	CC-HFV-11-PP	-	-	
		plug	1	for 3/8" hose	CC-HFV-12-PP	CC-HFV-12-PS	CC-HFV-12-PSU
				for 1/2" hose	CC-HFV-13-PP	CC-HFV-13-PS	CC-HFV-13-PSU
	2		for 5/8" hose	CC-HFV-14-PP	CC-HFV-14-PS	CC-HFV-14-PSU	
			for 3/4" hose	CC-HFV-15-PP	CC-HFV-15-PS	CC-HFV-15-PSU	
	3		for 3/8" hose (O.D.)	CC-HFV-16-PP	-	-	
			for 1/2" hose (O.D.)	CC-HFV-17-PP	-	-	
4	1	with 3/8" NPT male thread	CC-HFV-18-PP	CC-HFV-18-PS	-		
		with 1/2" NPT male thread	CC-HFV-19-PP	CC-HFV-19-PS	CC-HFV-19-PSU		
	2	with 3/4" NPT male thread	CC-HFV-20-PP	CC-HFV-20-PS	-		
		for 3/8" hose	CC-HFV-21-PP	CC-HFV-21-PS	CC-HFV-21-PSU		
	3	for 1/2" hose	CC-HFV-22-PP	CC-HFV-22-PS	CC-HFV-22-PSU		
		for 5/8" hose	CC-HFV-23-PP	CC-HFV-23-PS	CC-HFV-23-PSU		
	4	for 3/4" hose	CC-HFV-24-PP	CC-HFV-24-PS	CC-HFV-24-PSU		
		for 3/8" hose (O.D.)	CC-HFV-25-PP	-	-		
5	for 1/2" hose (O.D.)	CC-HFV-26-PP	-	-			
	90° elbow for 3/8" hose	CC-HFV-27-PP	CC-HFV-27-PS	-			
5	90° elbow for 1/2" hose	CC-HFV-28-PP	CC-HFV-28-PS	-			
	with 3/4" GHT female thread	-	CC-HFV-29-PS	CC-HFV-29-PSU			
	with 3/4" BSP female thread	-	CC-HFV-30-PS	CC-HFV-30-PSU			

Note!

- The codes given above apply to versions with valves. A code example of the version without the valve e.g.: CC-HFX-10-PP (* - always valved).
- Versions for application in food and pharmaceutical industry or medical equipment are also available.

INDUSTRIAL FITTINGS - quick release couplings

CPC - plastic couplings







MPC series DN 6.4 DN 9.5

Material: Polycarbonate (silicone O-ring)
Polysulfone (silicone O-ring)
ABS (silicone O-ring)


Working press.: Up to 4 bar

Working temp.: From -40°C up to +120°C (polycarbonate)
From -40°C up to +150°C (polysulfone)
From -40°C up to +70°C (ABS)

Quick release couplings for medical application. The couplings allow for some rotation of the connected hose thus preventing its potential kinking. Easy to operate (even in rubber gloves). The couplings made of polycarbonate and polysulfone are equipped with locking ferrules that protect against accidental disconnections. Meet USP Class VI requirements. Sterilized in an autoclave at +120°C for 30 min up to 10 cycles (polycarbonate), +130°C for 60 min up to 25 cycles (polysulfone) or gamma rays (up to 50 kGy).

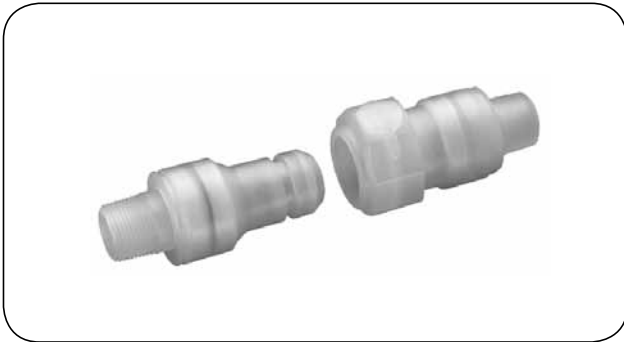
picture	description		code		
			polycarbonate	polysulfone	ABS
	socket	for 1/4" hose without locking ferrule	CC-MPC-01-PW	CC-MPC-01-PS	CC-MPC-01-AB
		for 1/4" hose with locking ferrule	CC-MPC-02-PW	CC-MPC-02-PS	CC-MPC-02-AB
		for 3/8" hose	CC-MPC-03-PW	CC-MPC-03-PS	CC-MPC-03-AB
		for 3/8" hose with locking ferrule	CC-MPC-04-PW	CC-MPC-04-PS	CC-MPC-04-AB
	plug	for 1/4" hose	CC-MPC-05-PW	CC-MPC-05-PS	CC-MPC-05-AB
		for 3/8" hose	CC-MPC-06-PW	CC-MPC-06-PS	CC-MPC-06-AB
	socket cup		CC-MPC-07-PW	CC-MPC-07-PS	-
	plug cap	without locking ferrule	CC-MPC-08-PW	CC-MPC-08-PS	-
		with locking ferrule	CC-MPC-09-PW	CC-MPC-09-PS	-

SANIQUIK adapters with TRICLOVER flanges are designed for quick connection of fixed installations with MPC type couplings. Sterilized in an autoclave.

	code	for coupling type	installation DN [inch]	flange diameter [mm]	length [mm]	description Material: AISI 316L. O-ring: silicone (USP Class VI). Working press.: 4 bar. Working temp.: from -40°C up to +150°C.
	CC-SQMPC-01	MPC	3/4	22.6	35.3	
	CC-SQMPC-02	MPC	1.1/2	50.3	38.1	
	CC-SQMPX-01	MPX	3/4	22.6	39.1	
	CC-SQMPX-02	MPX	1	50.3	38.1	
	CC-SQMPX-03	MPX	1.1/2	50.3	38.1	

INDUSTRIAL FITTINGS - quick release couplings



CPC - plastic couplings



CQG 06 series

Material: Polypropylene
Spring: Hastelloy
Seal: Viton
Working press.: Up to 5 bar
Working temp.: From -5°C up to +65°C
Leakage: <0.1 ml

“Non-spill” quick release couplings for laboratory applications. Feature broad chemical resistance and high flow rate. Easy to connect/disconnect, even under pressure.

picture	description		code
	socket	with hose tail for 3/8" hose	CC-CQG-01
		with hose tail for 1/2" hose	CC-CQG-02
		with hose tail for 3/4" hose	CC-CQG-03
		with 1/2" NPT male thread	CC-CQG-04
	plug	with hose tail for 3/8" hose	CC-CQG-05
		with hose tail for 1/2" hose	CC-CQG-06
		with hose tail for 3/4" hose	CC-CQG-07
		with 3/8" NPT male thread	CC-CQG-08
		with 1/2" NPT male thread	CC-CQG-09
		with 3/4" NPT male thread	CC-CQG-10
		adapter for panel mount assembly	CC-CQG-11